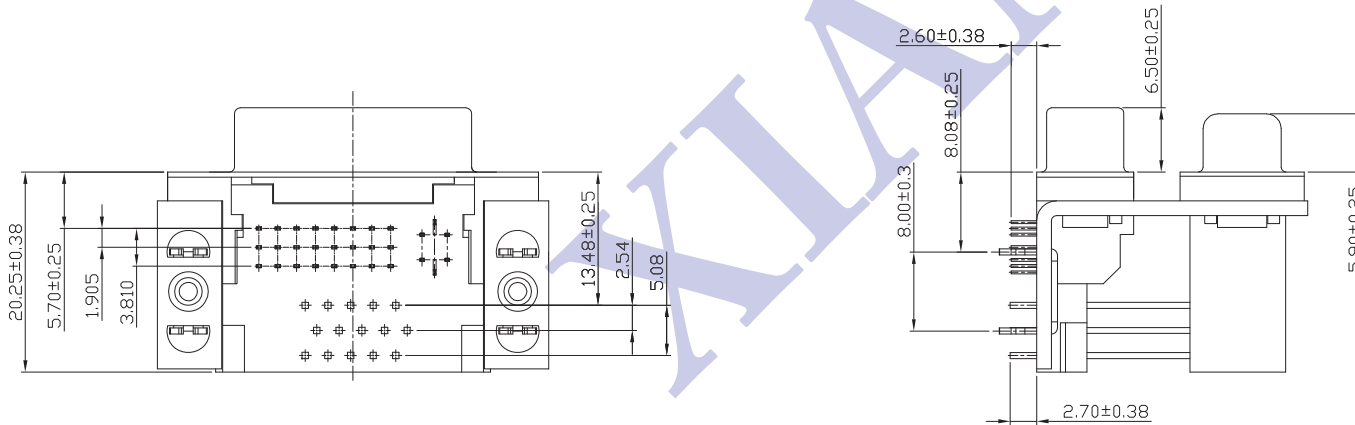


PCB LAYOUT



MATERIALS:

1. Housing: Thermoplastic (UL 94V-0)
2. Contacts: Brass, Gold Plated on Contact Area
Sn Plated on Solderails
Nickel Under Plated Over All
3. Shell: SPCC, Nickel Plated
4. Rivet: Copper Alloy, Nickel Plated
5. Board Lock: Brass, Sn Plated
6. Bracket: SPCC, Nickel Plated

D-Sub SPECIFICATION:

1. Contact Current Rating: 3A
2. Dielectric Withstanding Voltage: AC 500V r.m.s.
3. Insulation Resistance: 5000m Ω Min. at DC 500V
4. Contact Resistance: 30m Ω Max.
5. Operating Temperature: -55°C to 105°C

DVI:

1. Contact Current Rating: 1.5 Amp
2. Dielectric Withstanding Voltage: AC 500V r.m.s.
3. Insulation Resistance: 1000m Ω Min. at DC 500V
4. Contact Resistance: 30m Ω Max.
5. Operating Temperature: -20°C to 85°C

ORDER INFORMATION:

DD1X1X-1F2F-11X0R
① ② ③

- ① 4=W / O(Without Screw)
- 5=W / S(Lock Screw)
- 6= W / O(Annex Screw)
- ② 0=(Without Screw)
- 1=(4.8mm / 11.80mm) SPCC Screw
- 2=(5.8mm / 13.00mm) SPCC Screw
- A=(4.8mm / 11.80mm) Copper Alloy Screw
- B=(5.8mm / 13.00mm) Copper Alloy Screw
- ③ 3=PC99 / PBT+High Temperature
- 4=PC99 / High Temperature

XIAN YI PRECISION CO., LTD.

祥益精密股份有限公司

TITLE / 品名: D-Sub VGA 15F+DVI 29P(15.88mm) Right Angle(R/A) Dip Connector

PART NO / 料號: DD1X1X-1F2F-11X0R

核准發行章

僅供參考

APPROVE / 核准	CHECKED / 審查	DRAWING / 繪圖	DRAWING NO / 圖號	UNIT / 單位	⊕	GENERAL TOLERANCE X ±0.50 .X ±0.38 .XX ±0.20 .XXX ±0.10	NO.	REV / 版本	修訂內容	日期
James	James	Chenrong	L-022	mm	SHEET 1 OF 1		A.0	圖面發行	2011/05/09	