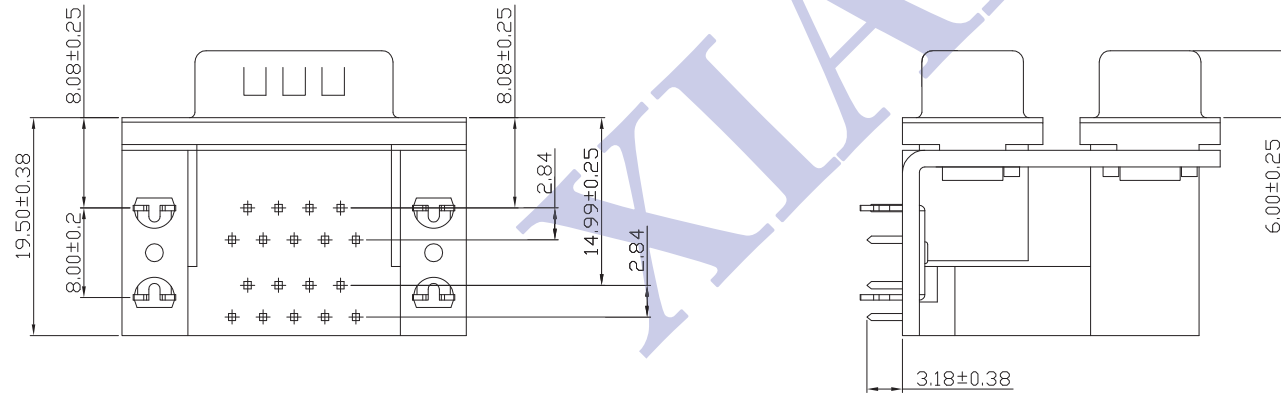


P.C.B. LAYOUT



MATERIALS:

- Housing: Thermoplastic (UL 94V-0)
- Contacts: Brass, Gold Plated on Contact Area
Sn Plated on Solderails
Nickel Under Plated Over All
- Shell: SPCC, Nickel Plated
- Rivet: Copper Alloy, Nickel Plated
- Board Lock: Brass, Sn Plated
- Bracket: SPCC, Nickel Plated

SPECIFICATION:

- Contact Current Rating: 3A
- Dielectric Withstanding Voltage: AC 500V r.m.s.
- Insulation Resistance: 5000mΩ Min. at DC 500V
- Contact Resistance: 30mΩ Max.
- Operating Temperature: -55°C to 105°C

ORDER INFORMATION:

D A 1 X 1 X - 1 M 1 M - 1 1 X 0 R
① ② ③

- ① 4=W / O(Without Screw)
5=W / S(Lock Screw)
6= W / O(Annex Screw)
- ② 0=(Without Screw)
1=(4.8mm / 11.80mm) SPCC Screw
2=(5.8mm / 13.00mm) SPCC Screw
A=(4.8mm / 11.80mm) Copper Alloy Screw
B=(5.8mm / 13.00mm) Copper Alloy Screw
- ③ 1=Black / PBT
2=Black / PBT+High Temperature
5=PC99 / PBT
6=PC99 / PBT+High Temperature

XIAN YI PRECISION CO., LTD.
祥益精密股份有限公司

TITLE / 品名: D-Sub 9M+9M(15.88mm) Right Angle(R/A) Dual Port Dip Type Connector

PART NO / 料號: DA1X1X-1M1M-11X0R

核準發行章
僅供參考

APPROVE / 核準	CHECKED / 審查	DRAWING / 繪圖	DRAWING NO / 圖號	UNIT / 單位	⊕	GENERAL TOLERANCE X ±0.50 .X ±0.38 .XX ±0.20 .XXX ±0.10	NO.	REV / 版本	修訂內容	日期	
James	James	Chemong	L-018	mm	SHEET 1 OF 1		A.0	圖面發行	2011/05/09		
8	1	7	1	6	1	5	4	1	3	2	1